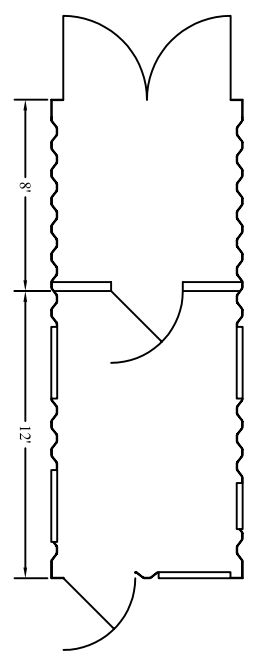
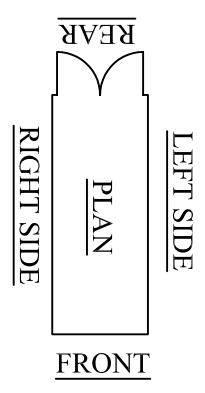


Notes:
1. WINDOWS ARE 36" X 36"



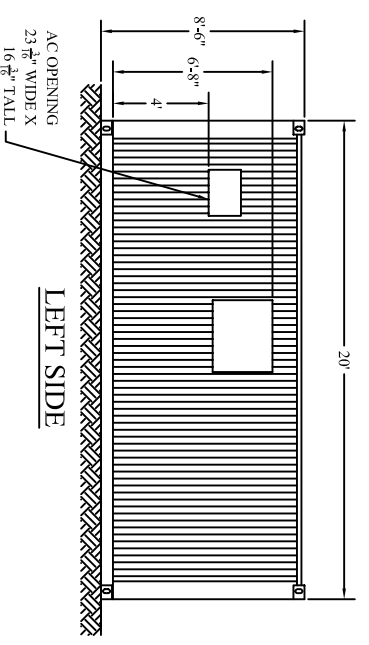
PLAN



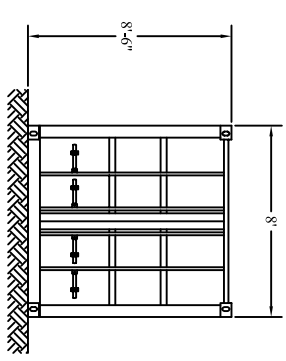
LEFT SIDE

RIGHT SIDE

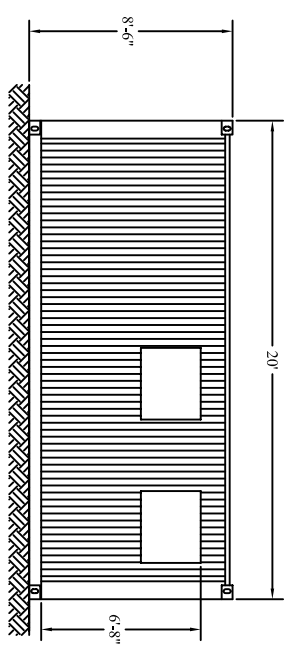
PLAN



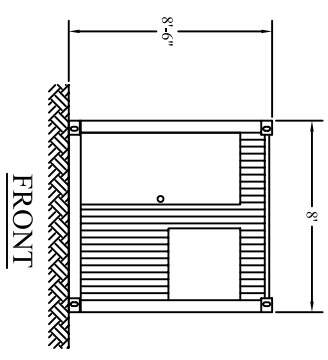
LEFT SIDE



REAR



RIGHT SIDE



FRONT

S Q U A R E
C O N T A I N E R S

Ernie Williamson
P.O. Box 1394
La Porte, TX, 77257
877-470-1662 - 281-470-2919 Fax
ernie@square1containers.com

Date: 07/22/05
Drawing Number: SIC-1008

Legend: