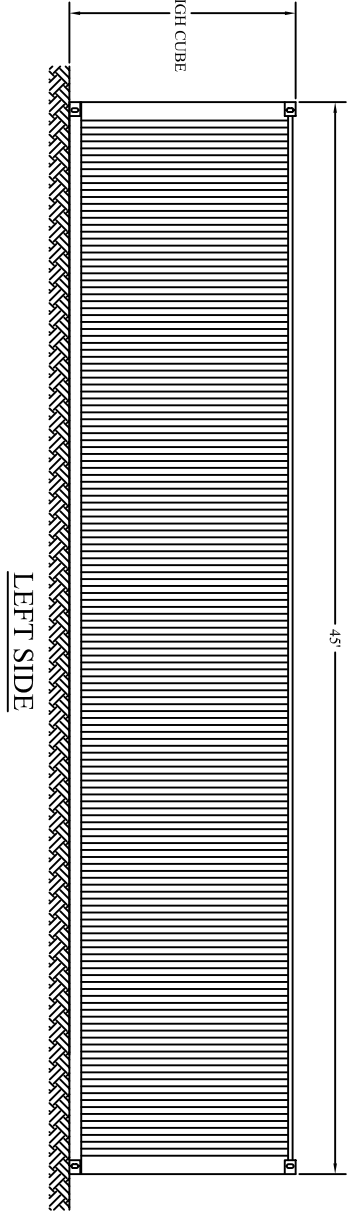
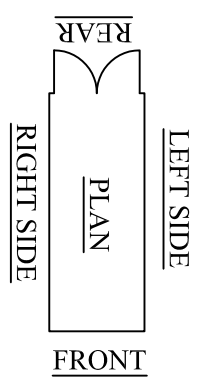
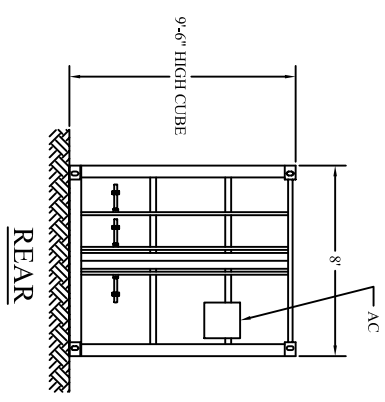


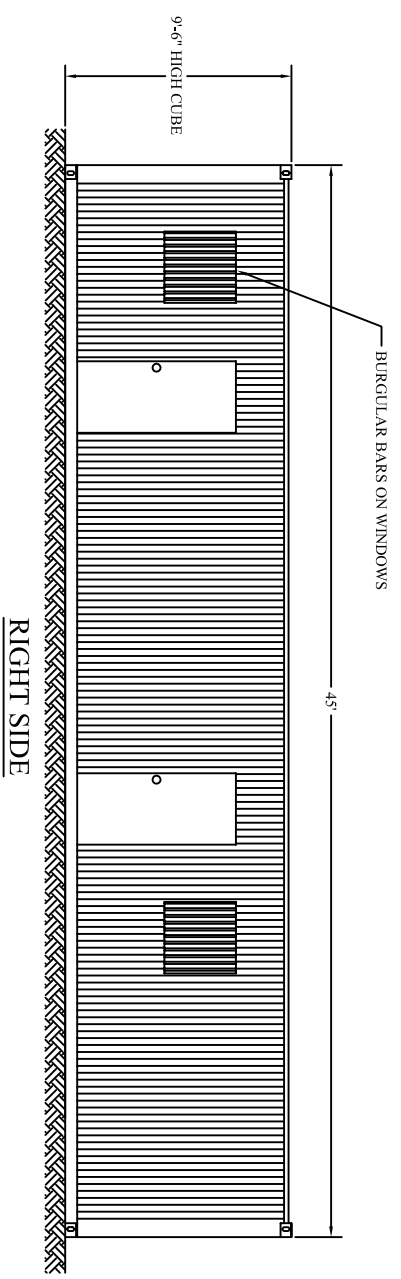
PLAN



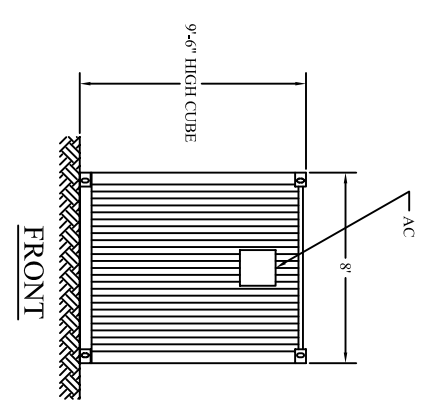
LEFT SIDE



REAR

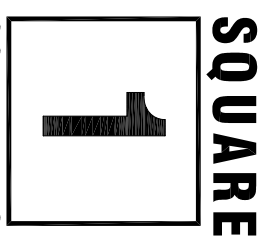


RIGHT SIDE



FRONT

Notes:



**SQUARE
CONTAINERS**

Ernie Williamson
P.O. Box 1364
La Porte, TX, 77257
877-470-1662 - 281-470-2919 Fax
ernie@square1containers.com

Date: 07/02/07
Drawing Number: ST-C-1027

- Legend:
- 220V OUTLET
 - ☐ FLUORESCENT LIGHT
 - ☐ LIGHT SWITCH
 - ☐ DUPLEX OUTLET
 - ☐ PANEL BOX